

# CHEMICAL BOTTLE

Transport bottle with GL 45 plastic cap

## Opening

GL 45 socket (Ø 29 mm opening diameter)

## Transport approval

UN 1A1/X2/900

## Material

1.4301 (304) or 1.4404 (316L)

## Finishing

stained in the bath or electropolished inside and outside

## Gaskets

PTFE sealing film

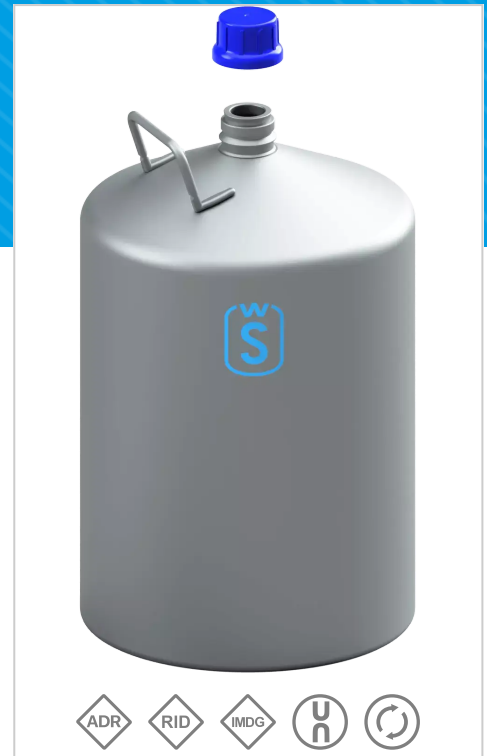
## Pressure

< 0,5 bar

## Closure

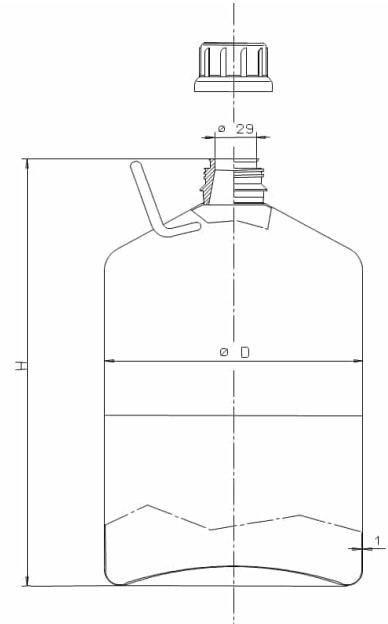


Polypropylene screw cap with tamper evident ring



Type	Material	Finishing	Volume [l]	Ø Da [mm]	H [mm]	s [mm]	Mass [kg]	Pressure [bar]
KG 0.05	1.4301 (304)	stained	0,06	45	75	1	0,15	
KG 0.1	1.4301 (304)	stained	0,12	45	105	1	0,2	
KG 0.25	1.4301 (304)	stained	0,3	67	130	1	0,3	
KG 0.5	1.4301 (304)	stained	0,7	89	165	1	0,5	
KG 01	1.4301 (304)	stained	1,3	108	180	1	0,6	
KG 02	1.4301 (304)	stained	2,8	140	230	1	0,9	
KG 05	1.4301 (304)	stained	6	181	295	1	1,6	
KG 07	1.4301 (304)	stained	8	197	320	1	1,8	
KG 10	1.4301 (304)	stained	12	229	360	1	2,4	
KG 20	1.4301 (304)	stained	22	278	465	1	3,4	
KG 30	1.4301 (304)	stained	32	324	495	1	4,5	

➔ Further variants, see reverse



*Safety for people, product and the environment*



**Dipl.-Ing. Wilhelm Schmidt GmbH**  
 Breslauer Str. 14  
 64342 Seeheim-Jugenheim  
 Germany

+49 6257 50 69 0  
 +49 6257 50 69 50  
 info@schmidt-seeheim.de  
 www.schmidt-seeheim.com

Type	Material	Finishing	Volume [l]	Ø Da [mm]	H [mm]	s [mm]	Mass [kg]	Pressure [bar]
JG 0.05	1.4404 (316L)	stained	0,06	31	105	1	0,15	
JG 0.1	1.4404 (316L)	stained	0,12	45	105	1	0,2	
JG 0.25	1.4404 (316L)	stained	0,3	67	130	1	0,3	
JG 0.5	1.4404 (316L)	stained	0,7	89	165	1	0,5	
JG 01	1.4404 (316L)	stained	1,3	108	180	1	0,6	
JG 02	1.4404 (316L)	stained	2,8	140	230	1	0,9	
JG 05	1.4404 (316L)	stained	6	181	295	1	1,6	
JG 07	1.4404 (316L)	stained	8	197	320	1	1,8	
JG 10	1.4404 (316L)	stained	12	229	360	1	2,4	
JG 20	1.4404 (316L)	stained	22	278	465	1	3,4	
JG 30	1.4404 (316L)	stained	32	324	495	1	4,5	

JG 0.05 P	1.4404 (316L)	electropolished	0,06	45	75	1	0,15	
JG 0.1 P	1.4404 (316L)	electropolished	0,12	45	105	1	0,2	
JG 0.25 P	1.4404 (316L)	electropolished	0,3	67	130	1	0,3	
JG 0.5 P	1.4404 (316L)	electropolished	0,7	89	165	1	0,5	
JG 01 P	1.4404 (316L)	electropolished	1,3	108	180	1	0,6	
JG 02 P	1.4404 (316L)	electropolished	2,8	140	230	1	0,9	
JG 05 P	1.4404 (316L)	electropolished	6	181	295	1	1,6	
JG 07 P	1.4404 (316L)	electropolished	8	197	320	1	1,8	
JG 10 P	1.4404 (316L)	electropolished	12	229	360	1	2,4	
JG 20 P	1.4404 (316L)	electropolished	22	278	465	1	3,4	
JG 30 P	1.4404 (316L)	electropolished	32	324	495	1	4,5	